

## TL24 series

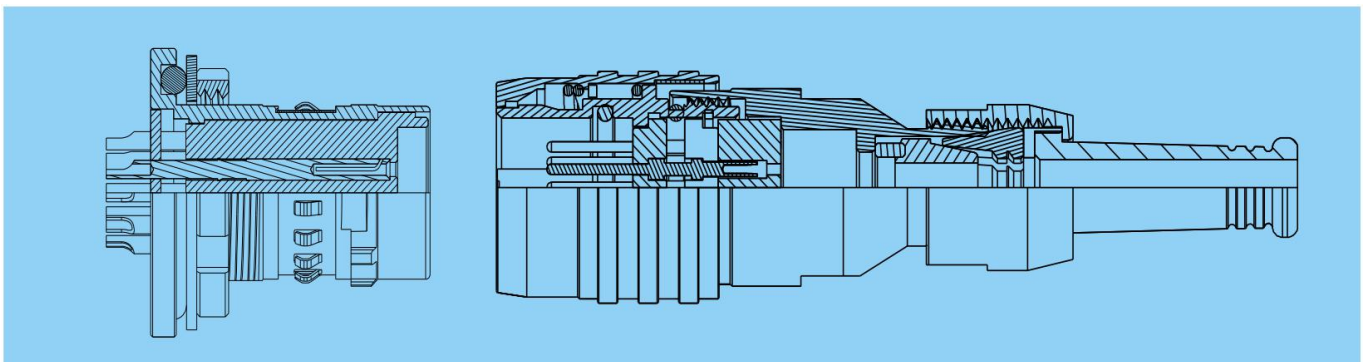
### Brief introduction.

TL24 series push-pull circular electrical connector, the connection method is push-type block locking. The connector has the characteristics of quick insertion and removal, convenient use, small volume, high density, good environmental resistance, beautiful appearance and good shielding property.

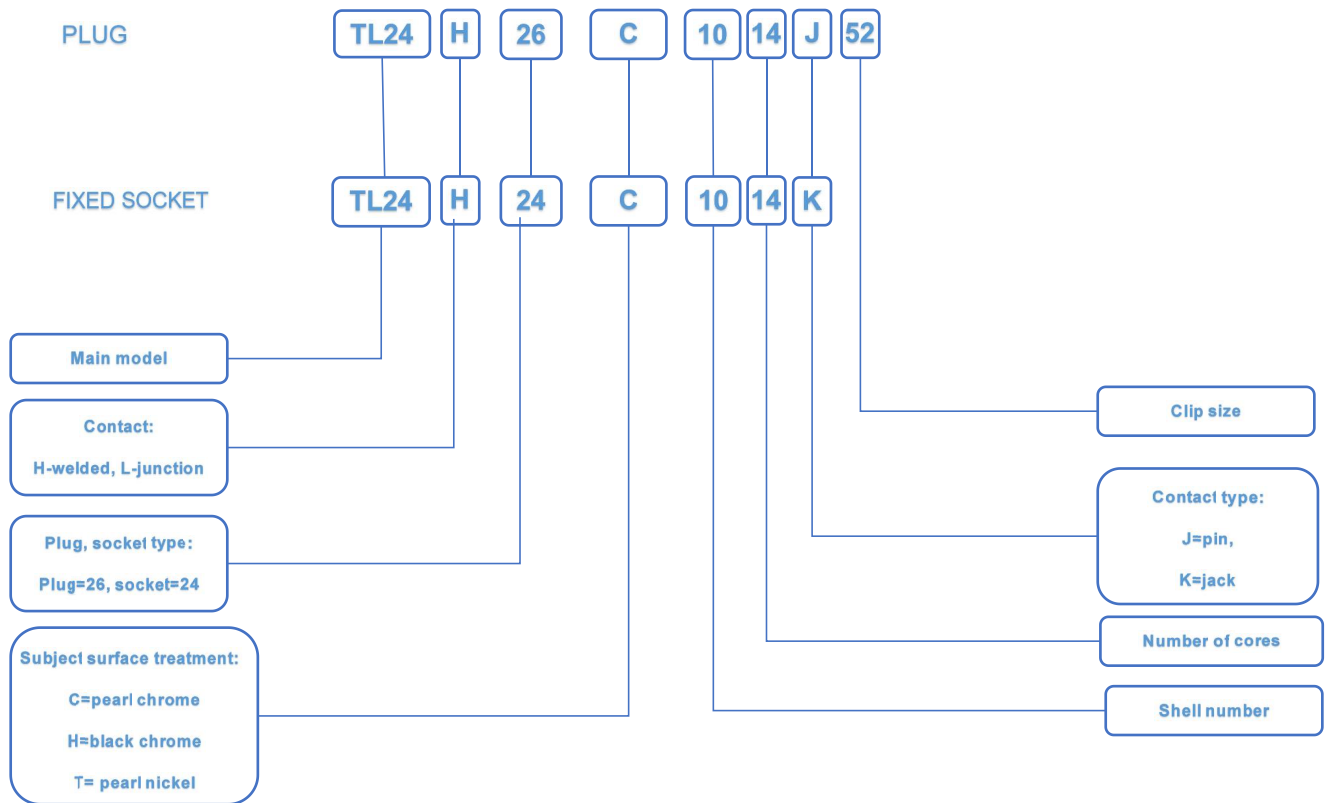
### Technical specification:

Working temperature	-55 ° C ~ +125 ° C
Relative humidity	90%~95% (40±2°C)
Working pressure	4.39KPa~101.33KPa
Salt spray	96 hours in 5% NaCl mist
Sealing	socket: pressure difference 1.01×10 <sup>5</sup> Pa, no bubble leakage for 1min; Head socket: 1m water depth, 2h no water seepage
Vibration	10Hz~2000Hz, acceleration 147m/s <sup>2</sup> ,instantaneous break ≤1μs
Impact	490m / s <sup>2</sup> instantaneous break ≤ 1μs
Mechanical life	2000 times
Insulation resistance	≥5000MΩ (normal)
Working current	3A (22#)
Contact resistance	12.5MΩ
Working voltage	400V (AC)
Withstand voltage	1000V (AC)
Electrical continuity between the shells	5MΩ

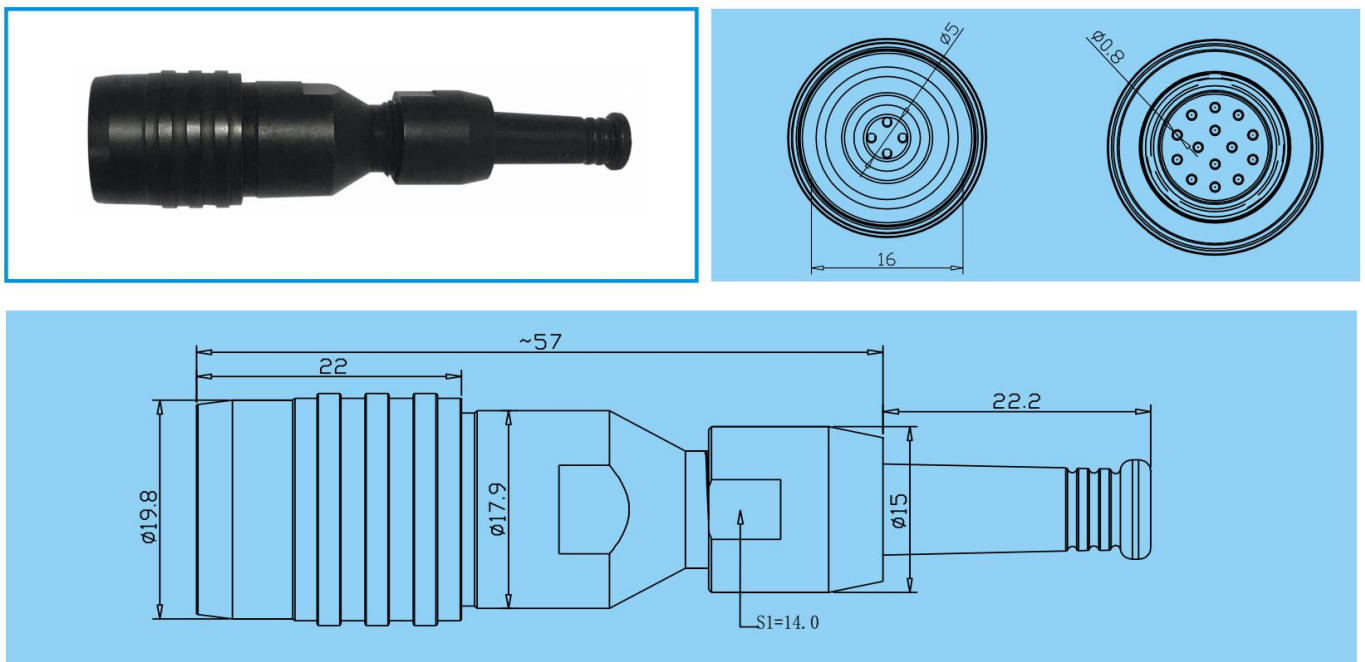
### Construction:



**TL24 series product numbering rules:**



**TL24 plug detail**



**TL24 socket detail**

